

PRODUCT INFORMATION PACKET

Model No: 5KCR39SN2504X
Catalog No: C1091
1.5,3450,DP,56J,1/60/115/230
Jet Pump



Regal and Marathon are trademarks of Regal Beloit Corporation or one of its affiliated companies.
©2018 Regal Beloit Corporation, All Rights Reserved. MC017097E



Nameplate Specifications

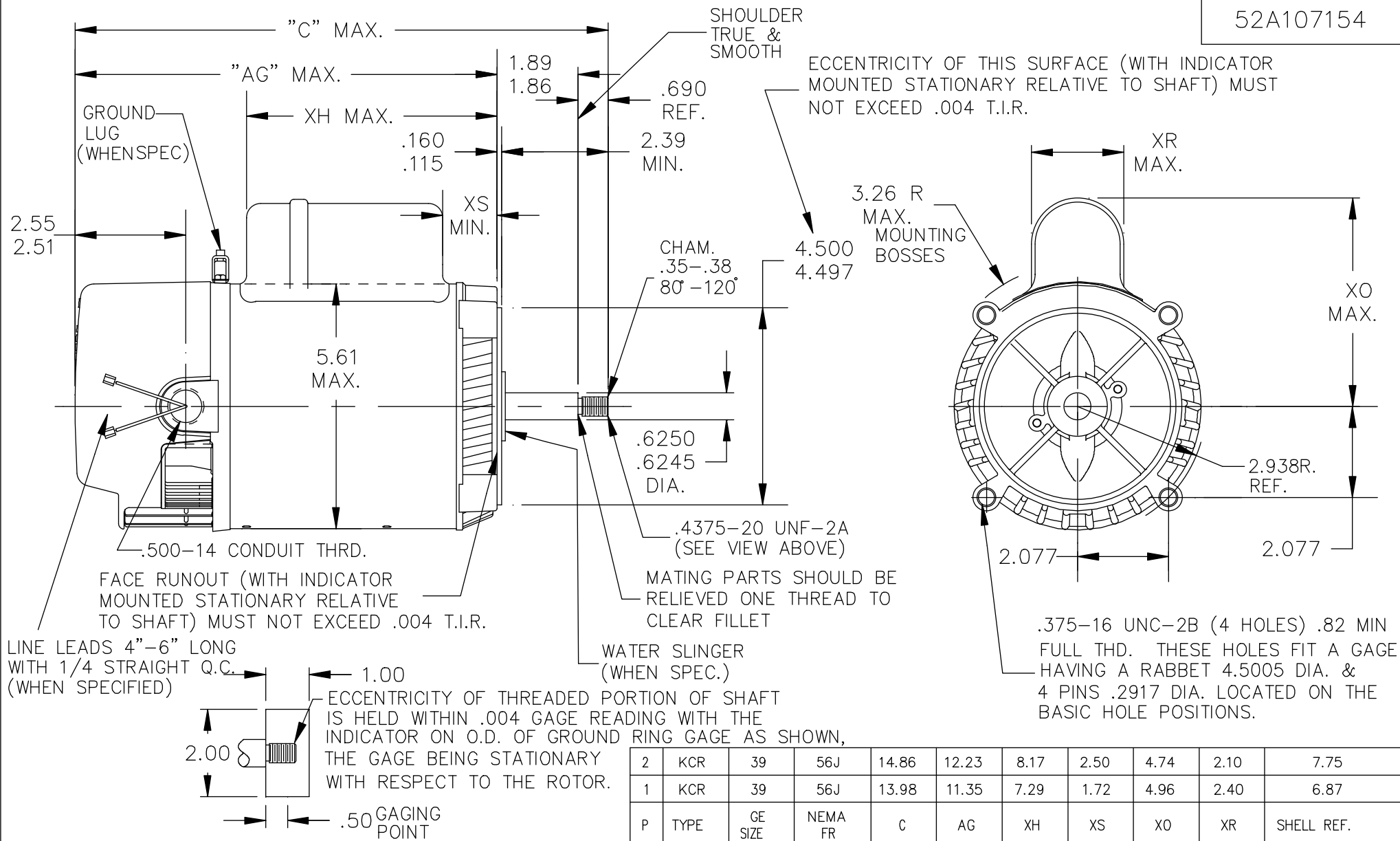
Output HP	1.5 Hp	Output KW	1.1 kW
Frequency	60 Hz	Voltage	115/230 V
Current	15.8,7.9 A	Speed	3450 rpm
Service Factor	1.3	Phase	1
Efficiency	76.1 %	Duty	Continuous
Insulation Class	B	KVA Code	K
Frame	56J	Enclosure	Drip Proof
Overload Protector	AUTO	Ambient Temperature	50 °C
Drive End Bearing Size	6204	Opp Drive End Bearing Size	6203
UL	Recognized	CSA	Yes
CE	N		

Technical Specifications

Electrical Type	Capacitor Start Capacitor Run	Starting Method	SM
Poles	2	Rotation	Clockwise
Mounting	Round	Motor Orientation	ANY
Drive End Bearing	LOCKED	Opp Drive End Bearing	BALL
Frame Material	Rolled Steel	Overall Length	13.98 in
Frame Length	6.87 in	Shaft Diameter	0.63 in
Shaft Extension	2.39 in		
Outline Drawing	52A107154P1	Connection Diagram	52A106890

This is an uncontrolled document once printed or downloaded and is subject to change without notice. Date Created: 10/08/2018

52A107154



2	KCR	39	56J	14.86	12.23	8.17	2.50	4.74	2.10	7.75
1	KCR	39	56J	13.98	11.35	7.29	1.72	4.96	2.40	6.87
P	TYPE	GE SIZE	NEMA FR	C	AG	XH	XS	XO	XR	SHELL REF.

			TOLERANCES UNLESS SPECIFIED		REGAL BELOIT		DRAWN BUN 06/11/91			
			DEC.	INCHES	REGAL-BELOIT CORPORATION				CHK	
9	JET/POOL IS REPLACED BY JET PUMP PER ECO-0033464	PVR 05/15/13	DS	.X	±.1	TITLE				APPD CCP 03/08/95
8	OUTLINE DIMN. CHG AS PER ISO8-0574	BAL 02/26/08		.XX	±.03	OUTLINE				SCALE 3=8
7	CHG TO RBC FORMAT PER ISO5-1777	SUD 02/21/06		.XXX	±.005	2 COMPARTMENT UPGRADE - 56J - JET PUMP				REF
6	REDRAWN BY 2M SOFTWARE CO.	CCP 03/06/95		.XXXX	±.0005	MAT'L.				FMF
NO.	REVISION	BY & DATE	CHK	ANG	±1/2'	FINISH			PREV	
			RFP			CAD FILE	52A107154	SIZE	DRAWING NO.	REV.
			DIST					A	52A107154	9

THIS DRAWING IN DESIGN AND DETAIL IS OUR PROPERTY AND MUST NOT BE USED EXCEPT IN CONNECTION WITH OUR WORK ALL RIGHTS OF DESIGN AND INVENTION ARE RESERVED THIS IS AN ELECTRONICALLY GENERATED DOCUMENT - DO NOT SCALE THIS PRINT

